



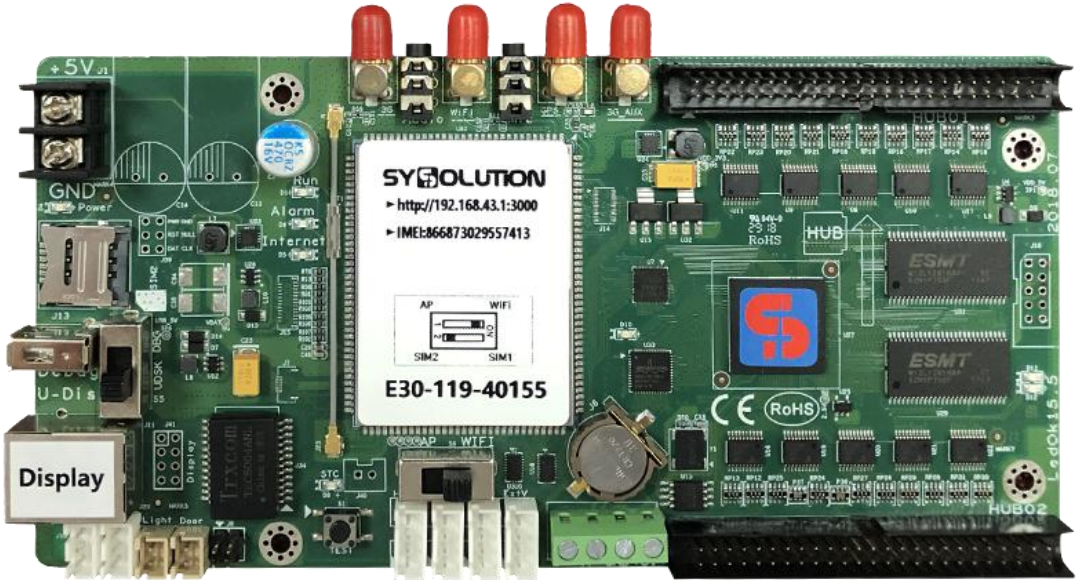
Internet Controller E30 with 4G and WIFI Embedded

————— **E30** —————

Product specification

Update Record

| NO. | Version | Remark | Date |
|-----|---------|----------------------|--------------------------------|
| 1 | Ver.1.0 | First version | March 01 th ,2019 |
| 2 | Ver.1.1 | Parameter correction | October 18 th ,2019 |
| 3 | Ver.2.0 | Add accessories | March 18 th ,2018 |



E30 control card

Functions

1. Have Wi-Fi 4G and GPS on board, and support AP function;
2. Have off-line software to send programs by cell phone or tablet;
3. Support AIPS cloud platform;
4. Have SDK for development;
5. Support upload program by Udisk;
6. Reach to 100MKbps by 4G communication;
7. High sensitivity GPS with fast speed;
8. High level of vibration-proof;
9. keep running for 10 seconds after cutting off the power;
10. Support new generation D90-XX receiving card.

Parameter

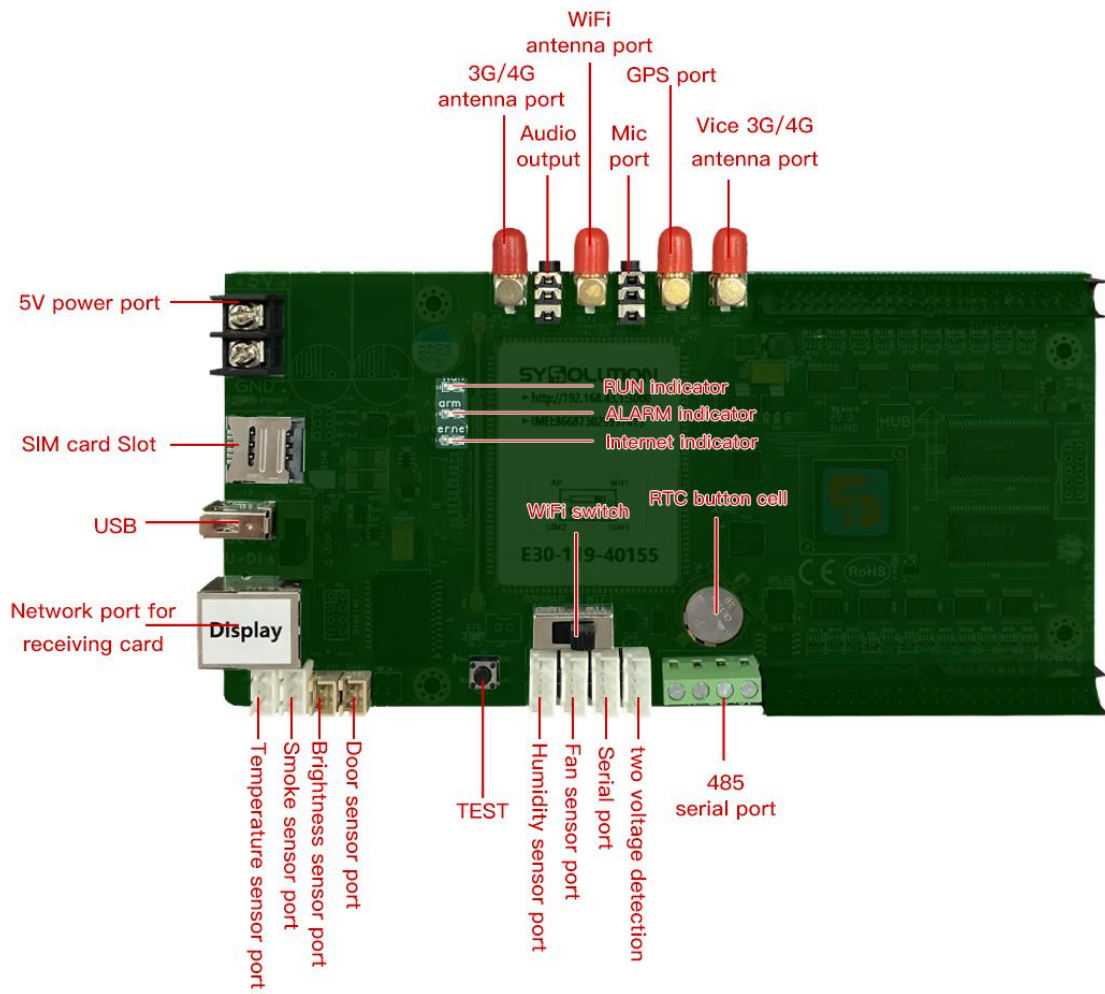
| | |
|----------------------------------|--|
| Type | Intelligent control card |
| Model | E30 |
| Pixel | After cascade: 1280*1080 Total resolution :60,0000 Can not bring screen itself |
| 4G/3G | Support |
| WiFi | Support |
| Hub | Two standard port |
| Screen Type | Full color |
| Flash Onboard | 8GB |
| Gravel level | 65536 |
| LED Module | Support random scan types within 32 scan |
| Communication port | Port/U Disk |
| Video | Support |
| GPS | Fixed-point delivery |
| Camera | Support |
| Weather Report | Support |
| Read back display content | Support |
| Display in schedule | Support |

| | |
|-----------------------------------|--|
| Video format | AVI,WMV,MPG,MOV,DAT,VOB,MP4,FLV |
| Animation format | Support gif,swf |
| Image format | Support bmp、 jpg、 gif、 wmf、 ico |
| Text format | Support txt、 rtf |
| Text display | Single line, static and multi-line etc. |
| Clock | Types of analog clocks and digital clock |
| Timing | Timing and countdown |
| Software | Send programs by AIPS (www.m2mled.net) |
| Parameter setting software | EasyBoard |

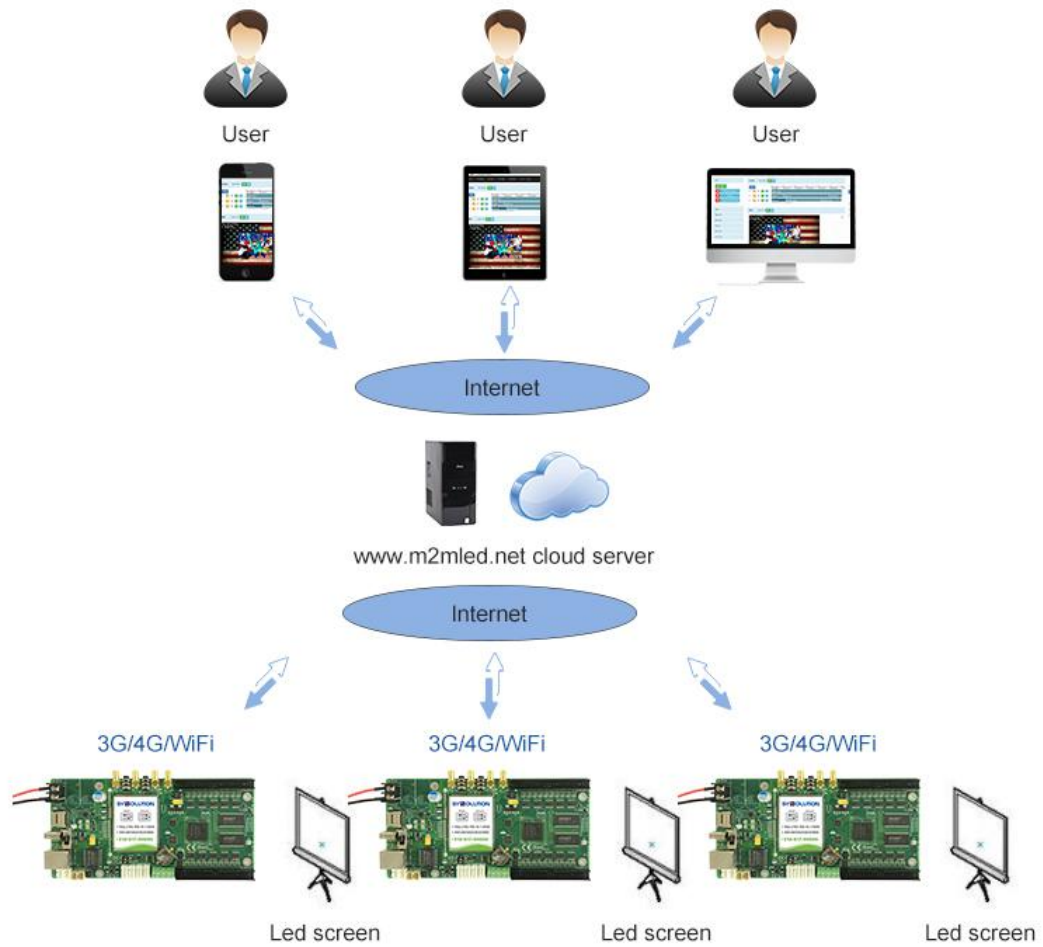
Support the spectrum:

| | |
|----------------------|------------------|
| WCDMA | Band 1/2/5/8 |
| TDSCDMA | Band 34/39 |
| FDD_LTE | Band 1/3/7 |
| TDD_LTE | Band 38/39/40/41 |
| GSM/GPRS/EDGE | Band 2/3/5/8 |
| CDMA2000/EVDO | BC0 |

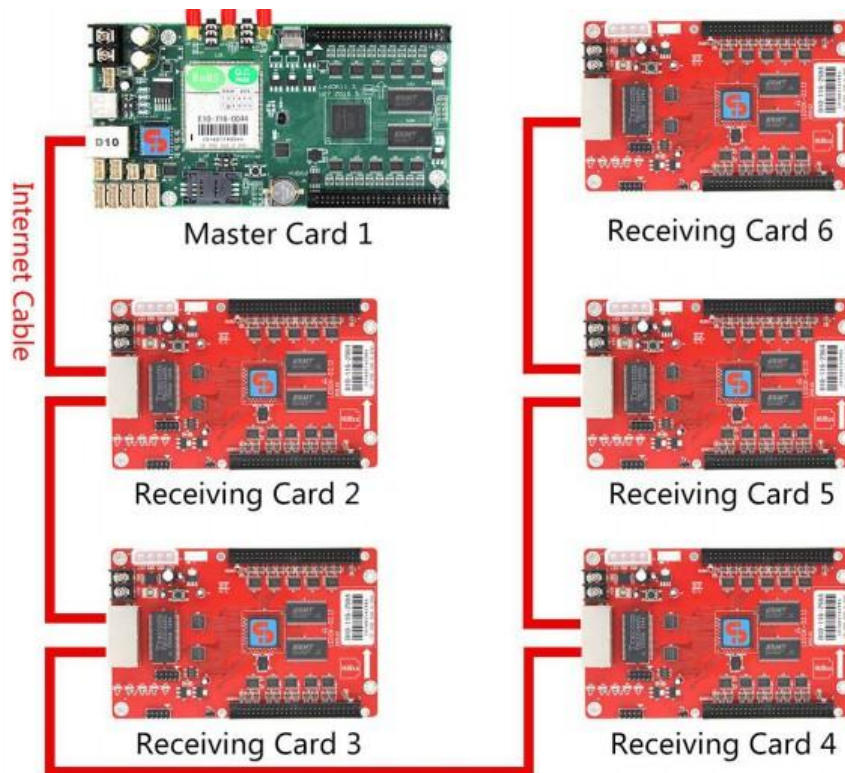
Interface Function



Information Transmission Mode



Connection of Main Card and Secondary Card



Operation Condition

| General Parameter | |
|-----------------------------|--|
| Work voltage (V) | 4.5 ~ 6 |
| Max operating current (A) | 1 |
| Max working consumption (W) | 5 |
| Work temperature (°C) | - 20 ~ + 60 |
| Size (mm) | 17.5 (Length) × 9.6 (width) × 2.5 (leigth) |
| Weight (g) | 138 |

Accessories

| Standard accessories | Size/Quantity |
|----------------------|---------------|
| WiFi Sucker antenna | 3m*1 |
| 4G Sucker antenna | 3m*1 |

(If you need other accessories, please place an order)

| Optional accessories | Accessories features |
|-----------------------|--|
| Humidity line RH1 | Used to detect the humidity of the current external environment |
| Brightness line RL1 | Used to sense the brightness of the current environment |
| Temperature probe RT1 | Used to detect the temperature of the current external environment |
| G10 | GPS Positioning antenna (length 0.8m) |

Matched sensor wire (Optional, additional models are available according to the order)

Cautions

1. Strictly prohibited to plug SIM card.
2. Strictly prohibited to plug PCIE module.
3. Strictly prohibited to plug HUB controller
4. Strictly Prohibited to Plug Antenna.
5. Try not to touch the chip and pin on the controller to prevent static electricity damage.